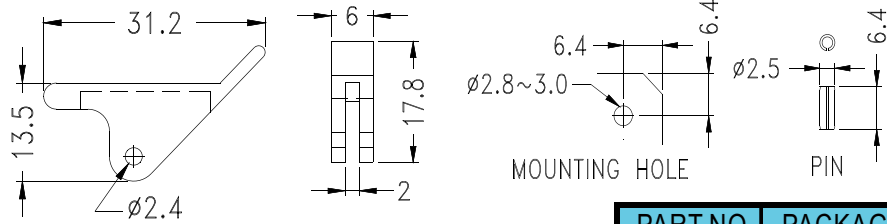
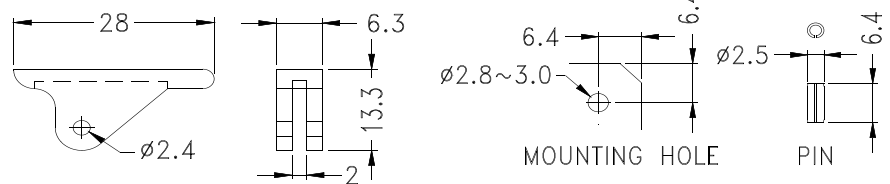


- ◆ MATERIAL: NYOLN 66(UL)
- ◆ FLAME CLASS: 94V-2
- ◆ COLOR: NATURAL/BLACK
- ◆ UNIT: mm

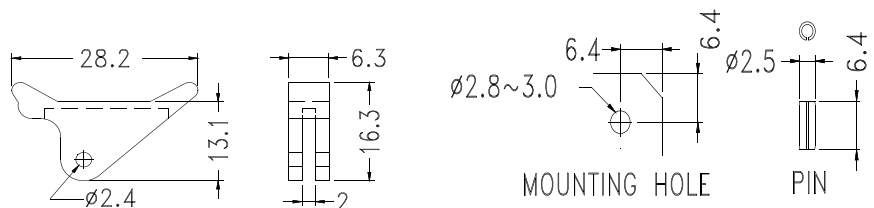
PART NO	PACKAGE
CP-37	250



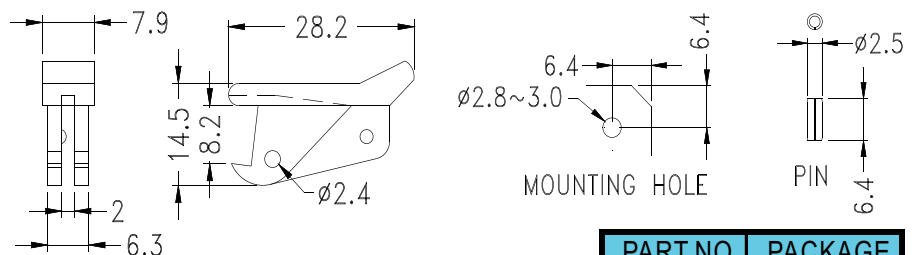
PART NO	PACKAGE
CP-15	1000



PART NO	PACKAGE
CP-20	1000



PART NO	PACKAGE
CP-25	1000

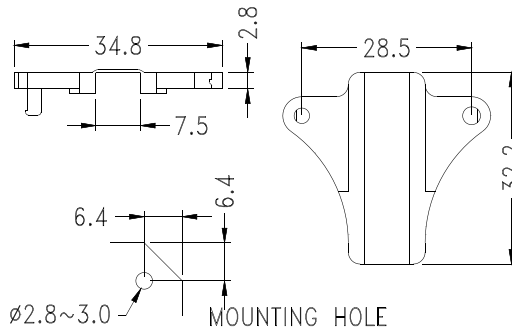


PART NO	PACKAGE
CP-30	1000

Plastic Fastener - CARD PULLER & Guide

Hankook Fastener

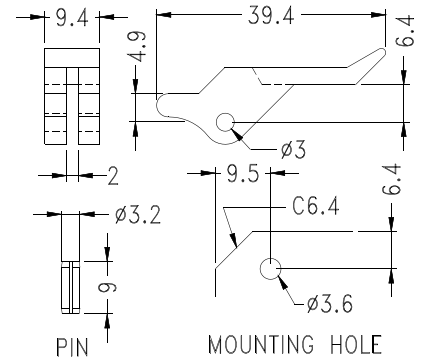
- ◆ MATERIAL: NYLON 66(UL)
- ◆ FLAME CLASS: 94V-2
- ◆ COLOR: NATURAL
- ◆ UNIT: mm



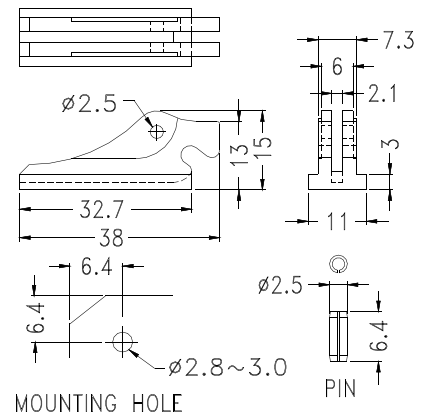
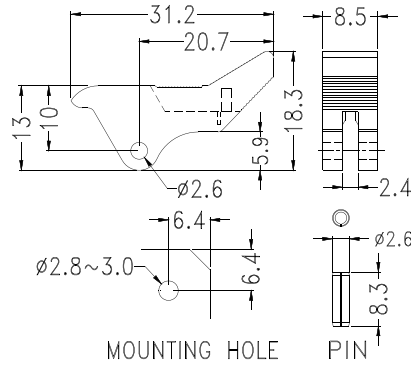
PART NO	PACKAGE
CP-35	500



PART NO	PACKAGE
CP-50	500



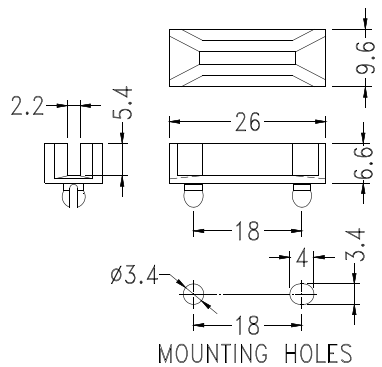
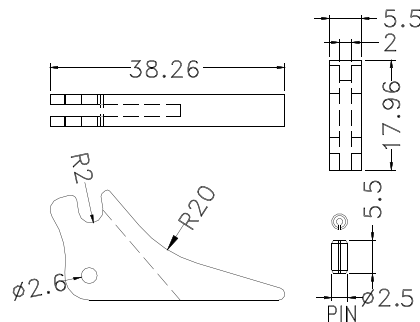
PART NO	PACKAGE
CP-70	1000



PART NO	PACKAGE
CP-72	500



PART NO	PACKAGE
CP-47	500



PART NO	PACKAGE
CG-26	500

